



BEAUTIFUL ON THE OUTSIDE. SMART ON THE INSIDE.®



mouldings & embellishments



BEAUTIFUL ON THE OUTSIDE. SMART ON THE INSIDE.®



CLASSICALLY BEAUTIFUL

Whether your style is light and airy or deep and dramatic, the timeless appeal of our innovative cabinet offering enables your home to be a thoughtful extension of your personality. Classically beautiful with an endless array of options, Schrock has just the right details to transform your space into a unique and inspiring sanctuary.



SURPRISINGLY SMART

Equipped inside with maximum function and versatility, our cabinets combine outside beauty with smart inside features. Thoughtfully designed to transform household clutter, Schrock offers a multitude of customizable cabinet options and convenient features that improve home organization and make busy lifestyles easier.



EXPERT QUALITY & SERVICE

Our legacy has been proven time and again with outstanding quality, dependable delivery and superior service. Trust the Schrock name for expertly crafted cabinetry that stands the test of time.



BEAUTY. FUNCTION. STRENGTH. PERFORMANCE.



MAPLE DOVER : BAR LEGS 2-SIDED

DECORATIVE LEGS



01



03



05



07



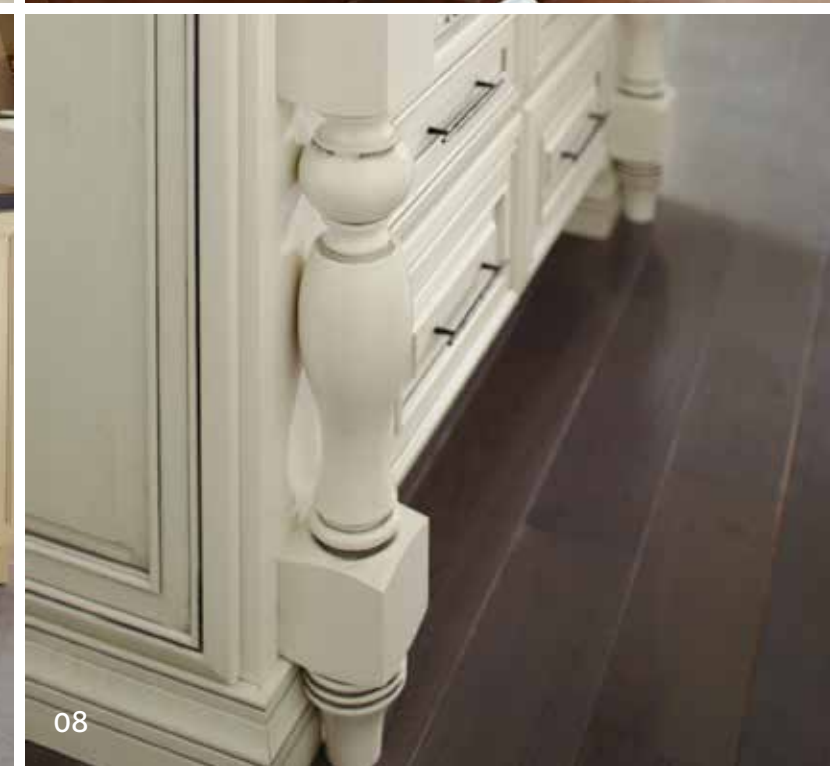
02



04



06



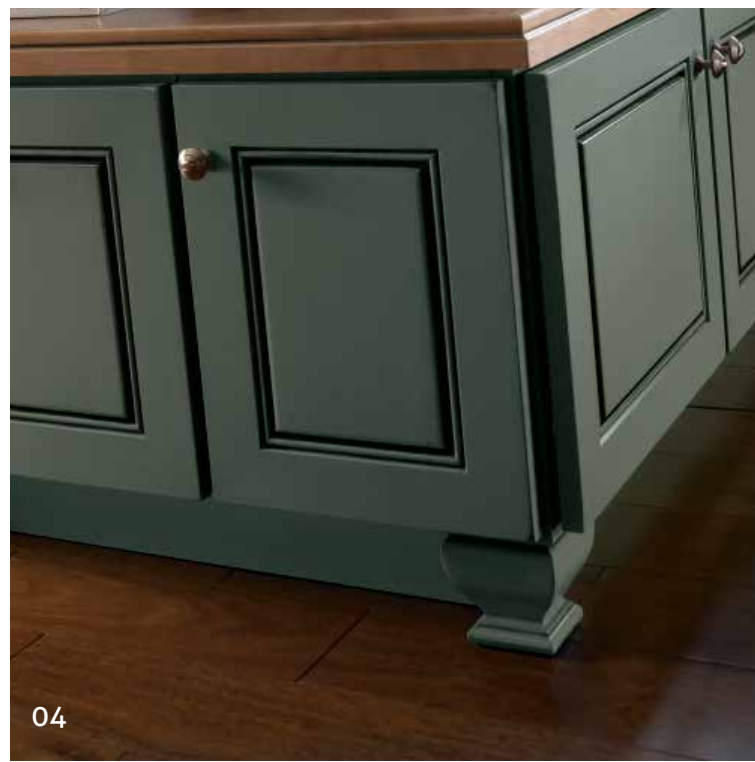
08

Available in a variety of styles, decorative legs lend cabinetry the look of free-standing furniture. Use them as an accent at the end of a run of cabinetry, or add legs to help support an extended counter surface and make space for seating beneath.

- 01. Spool Leg
- 02. English Bar Column
(Cherry Coffee)
English Island Column
(PureStyle™ Laminate Amaretto Crème)
- 03. Estate Leg

- 04. Square Bar Leg
- 05. Weave Leg
- 06. Island Leg
- 07. Baroque Leg
- 08. French Country Leg

DECORATIVE FEET



- 01. Craftsman Foot
- 02. Weave Foot
- 03. Tapered Leg & French Leg
- 04. Lille Foot

- 05. Bijou Foot
- 06. Tulip Foot
- 07. Large Square Foot
- 08. Metro Foot

CORBELS



01



03



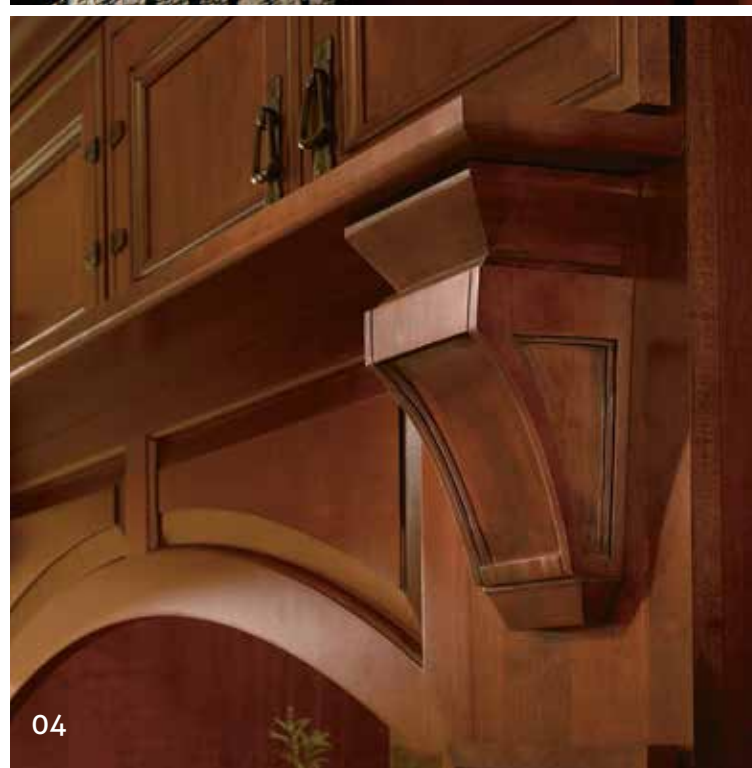
05



07



02



04



06



08

Beneath cabinets, counters, mantel or range hood, decorative corbels add a finishing touch of distinctive charm. From understated Olde World style to richly detailed Baroque, Schrock offers a range of styles to suit any space.

- 01. Baroque Corbel
- 02. Shaker Corbel
- 03. Celtic Corbel
- 04. Mission Corbel

- 05. Art Corbel
- 06. Madeline Corbel
- 07. Weave Corbel
- 08. Arts & Crafts Bracket

DECORATIVE ROSETTES

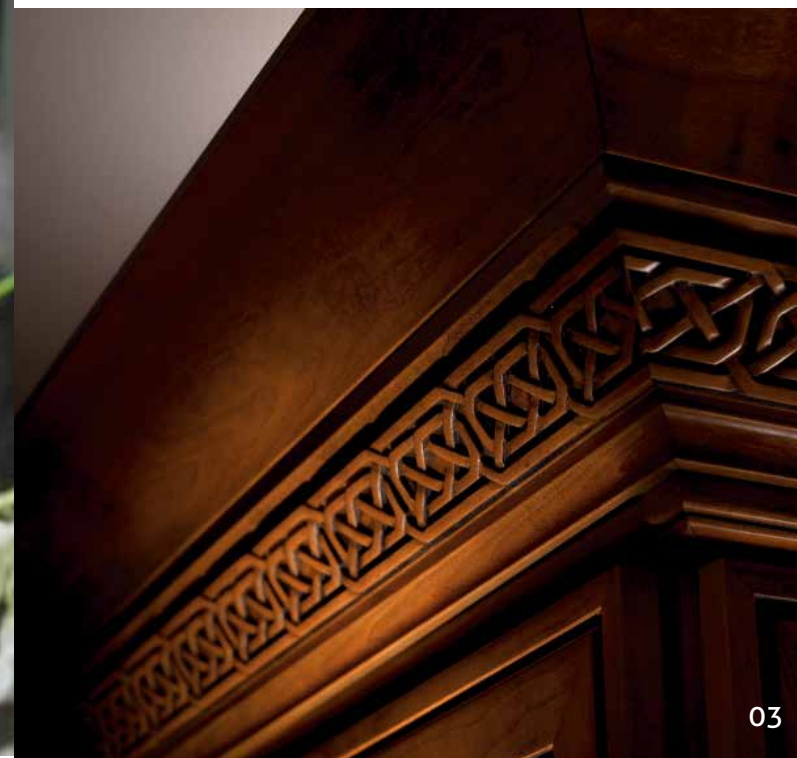


It's often the smallest details that have the greatest impact. Show off your discerning eye when you enhance your cabinetry with impeccable little gems from Schrock's selection of rosettes and ornaments.

- 01. Celtic Rosette
- 02. Mission Rosette
- 03. Corner Rosette

- 04. Scroll Rosette
- 05. Acanthus Ornament

MOULDING INSERTS



Cabinetry comes to vivid life with the addition of carefully chosen accents from Schrock's collection. Insert mouldings, valances and overlays are available in a variety of styles to coordinate with other embellishments.

- 01. Baroque Insert Moulding
- 02. Baroque Valance
- 03. Celtic Insert Moulding

- 04. Mission Insert
- 05. Light Rail Moulding

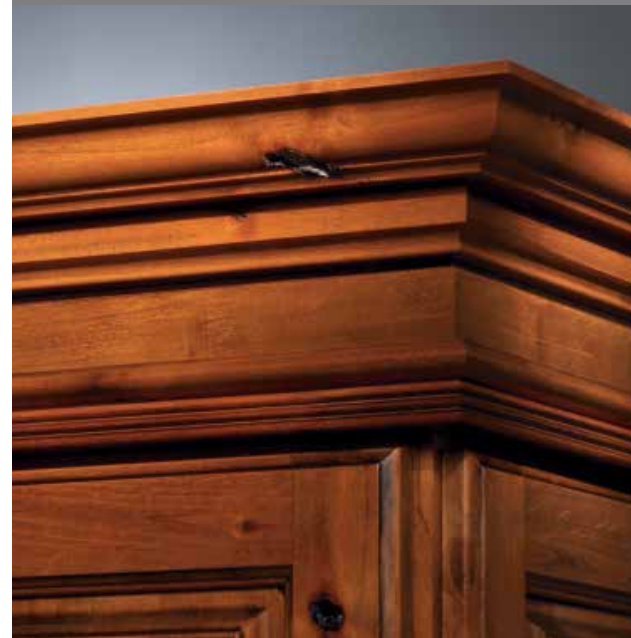
MOULDING STACK 1 STKMLD1



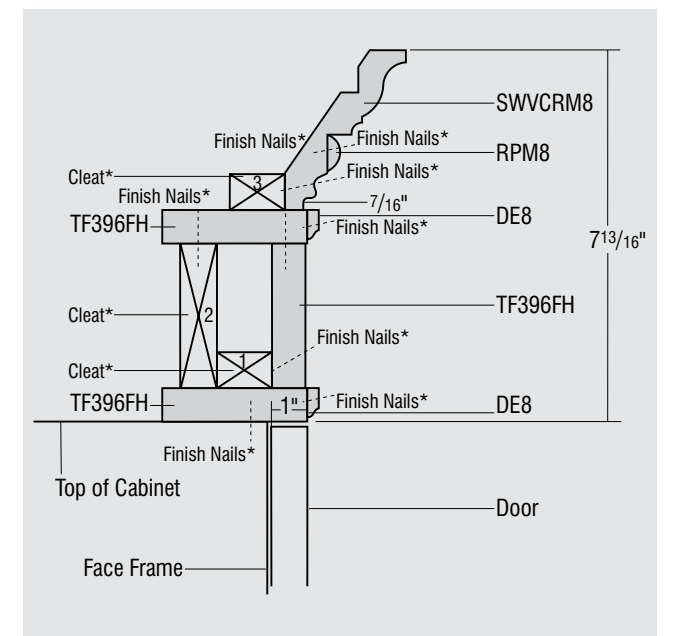
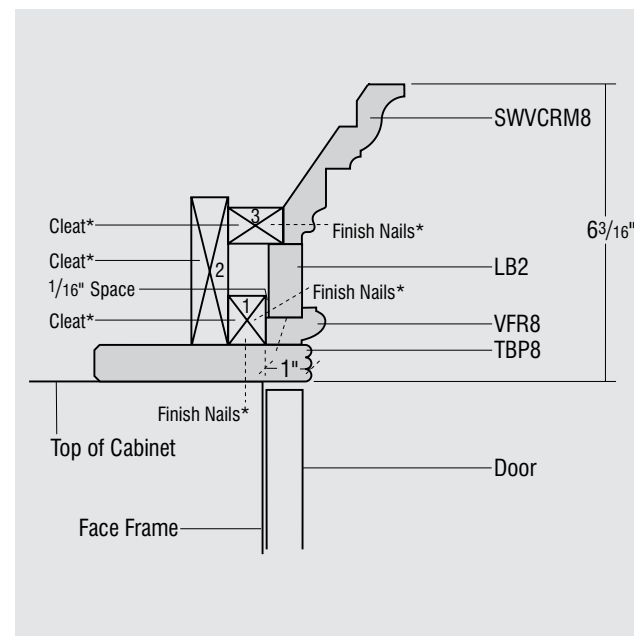
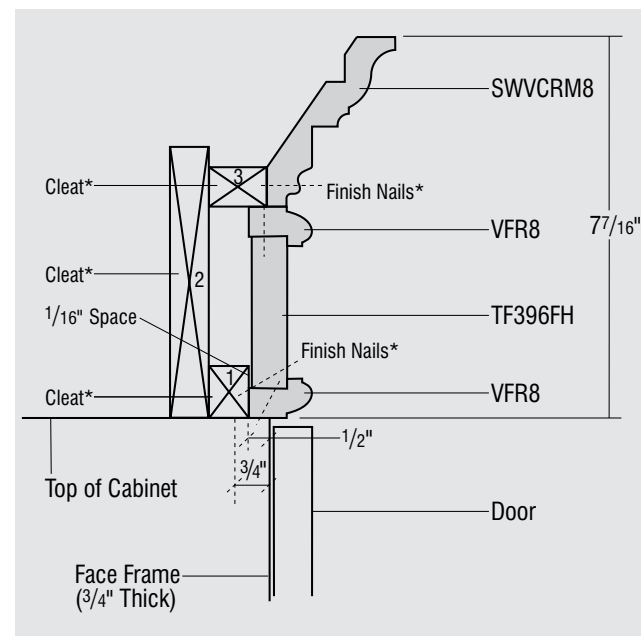
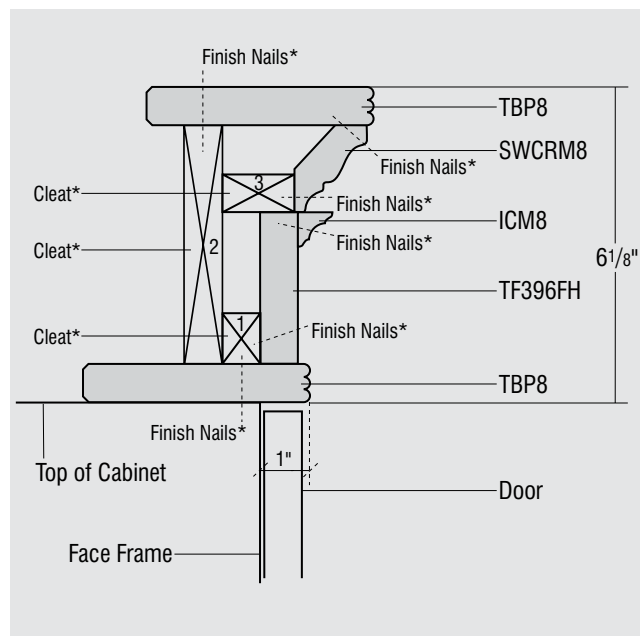
MOULDING STACK 2 STKMLD2



MOULDING STACK 3 STKMLD3



MOULDING STACK 5 STKMLD5



MOULDING STACK 6 STKMLD6



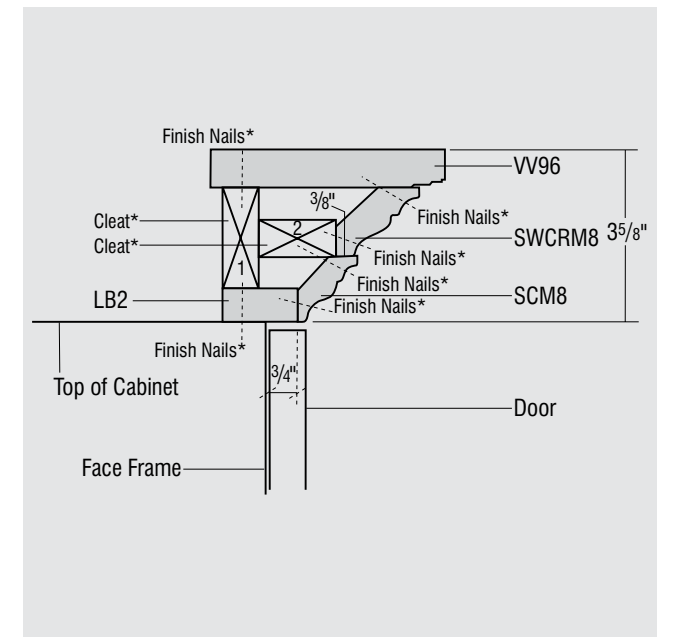
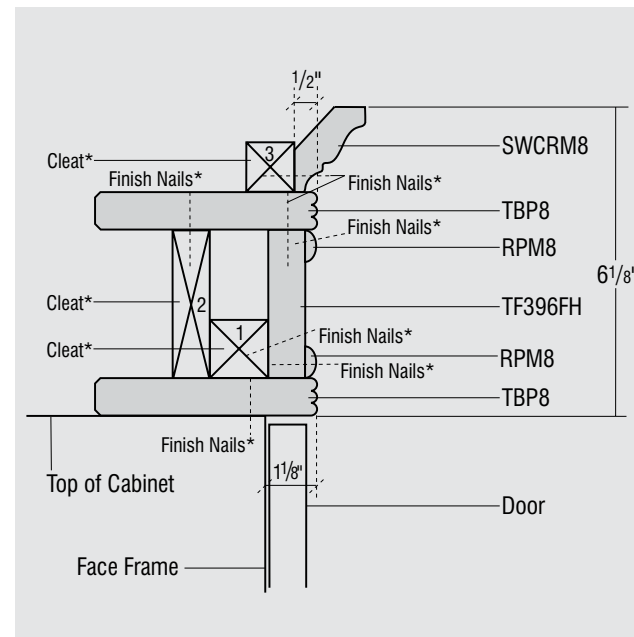
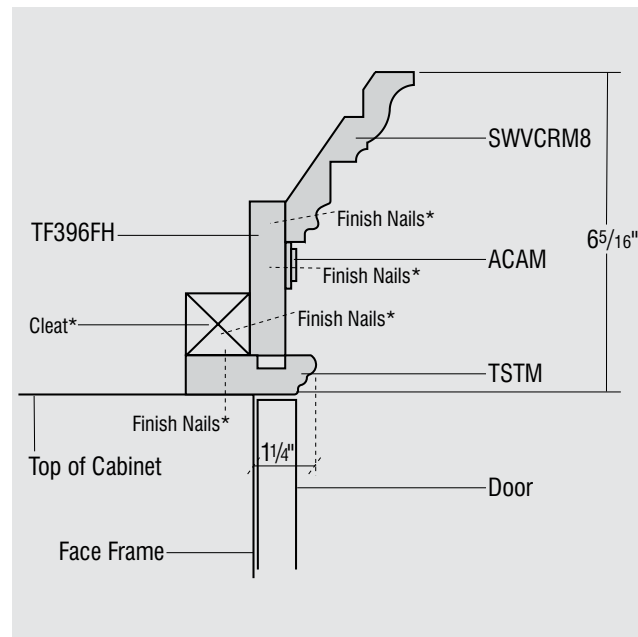
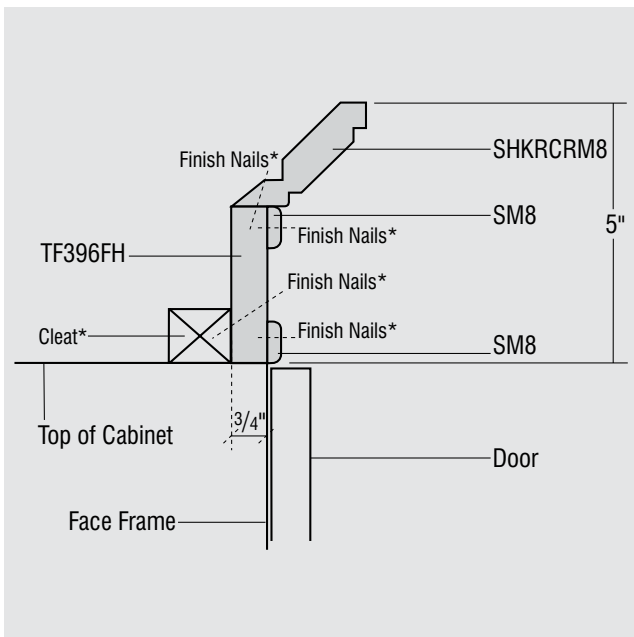
MOULDING STACK 7 STKMLD7



MOULDING STACK 8 STKMLD8



MOULDING STACK 10 STKMLD10



MOULDING STACK 11 STKMLD11



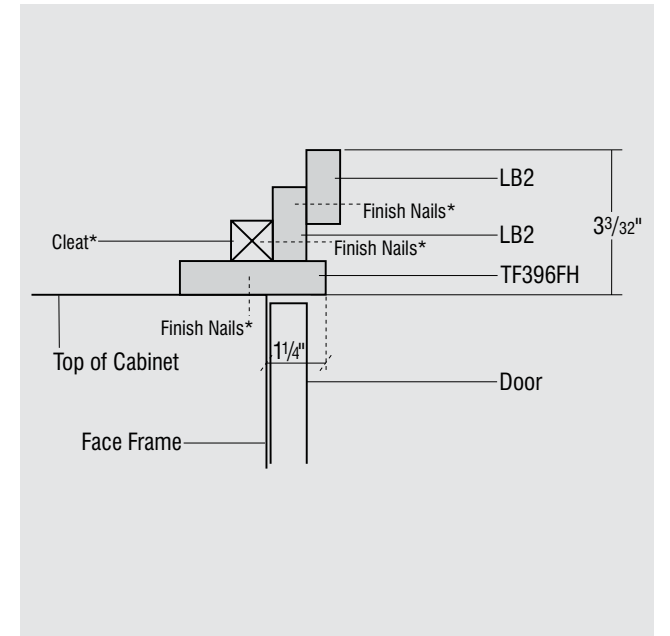
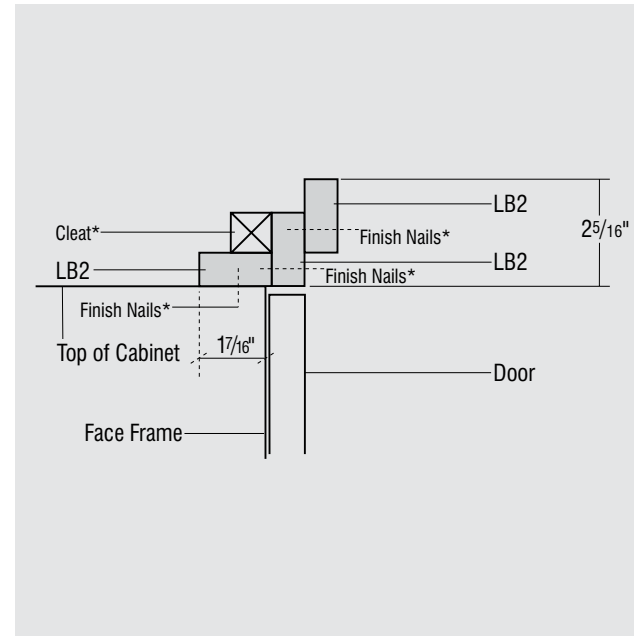
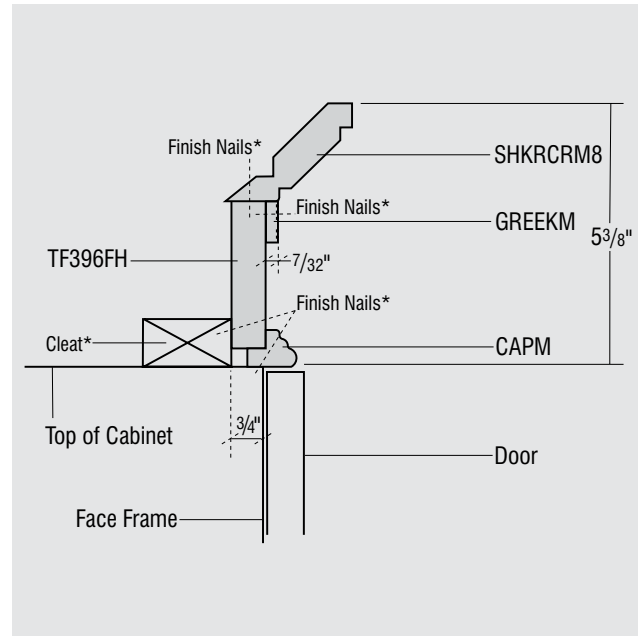
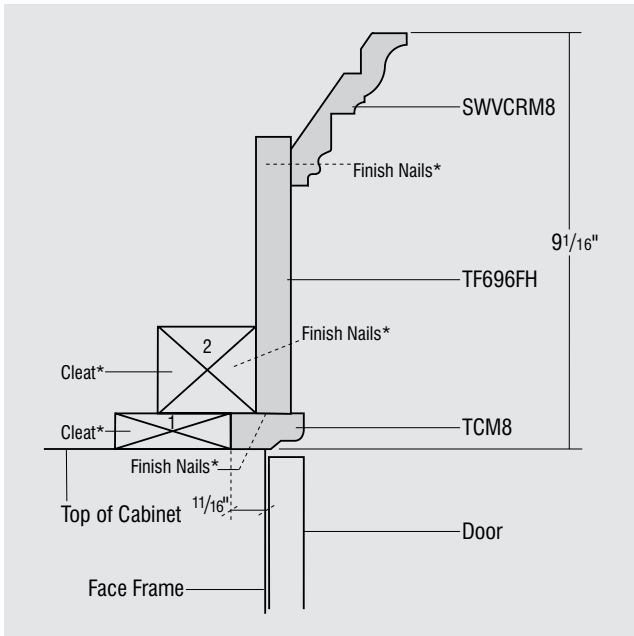
MOULDING STACK 12 STKMLD12



MOULDING STACK 13 STKMLD13



MOULDING STACK 14 STKMLD14



MOULDING STACK 15 STKMLD15



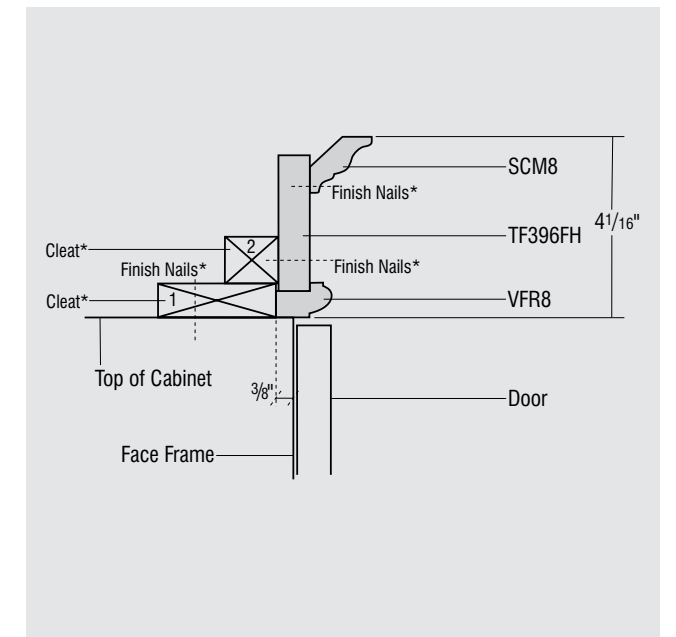
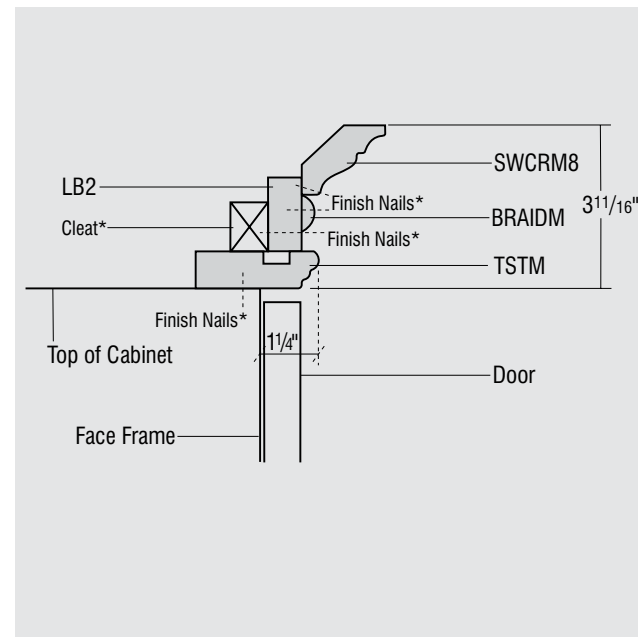
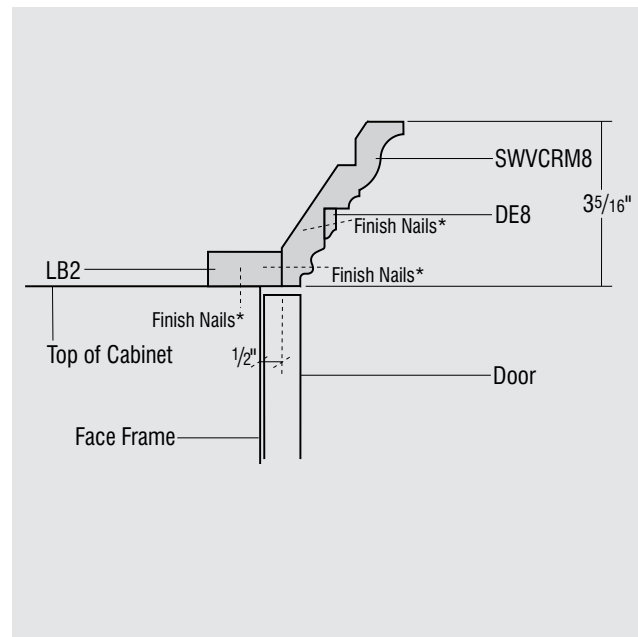
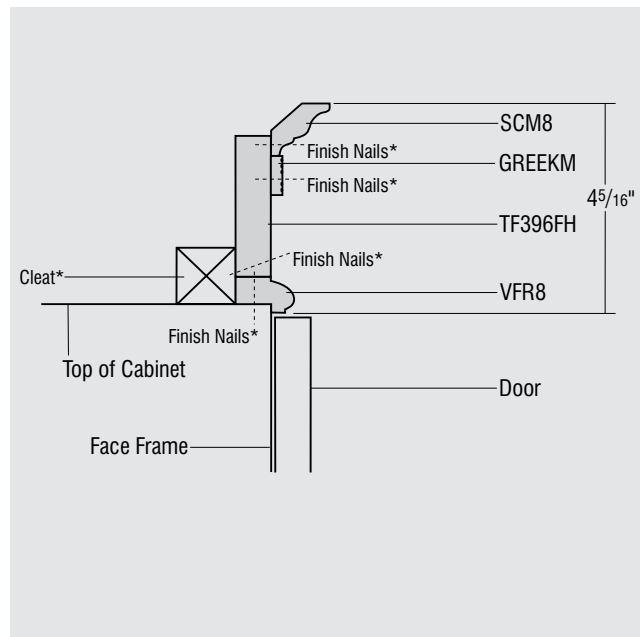
MOULDING STACK 16 STKMLD16



MOULDING STACK 17 STKMLD17



MOULDING STACK 18 STKMLD18



MOULDING STACK 19 STKMLD19



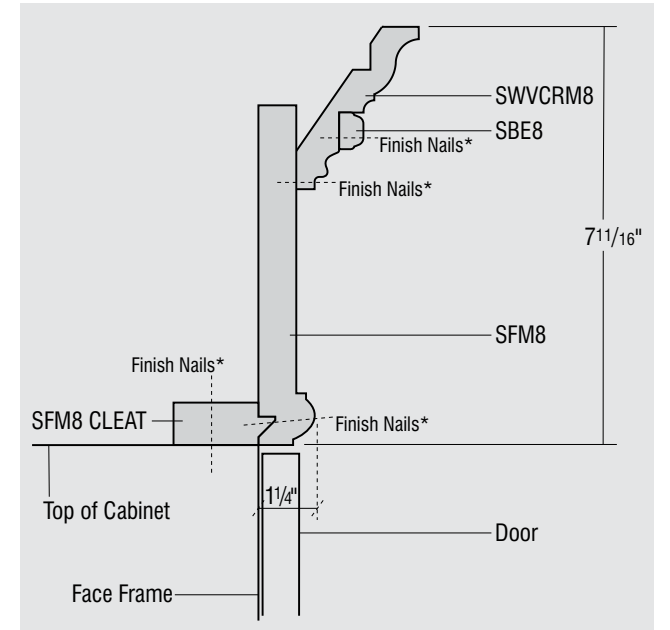
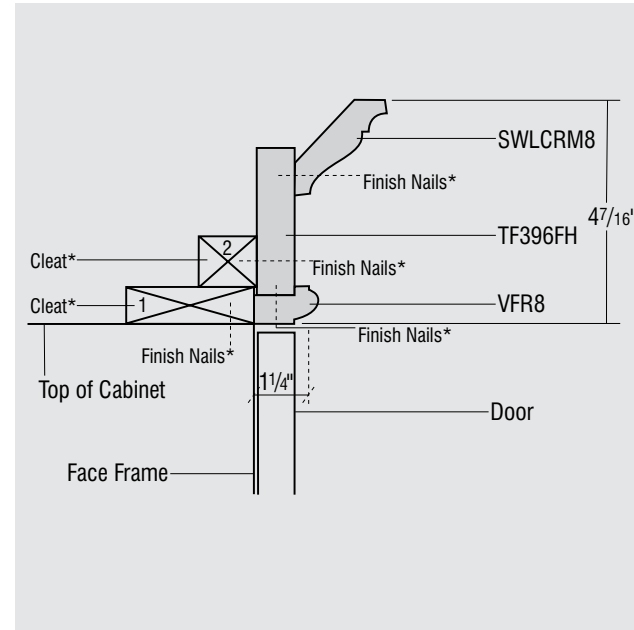
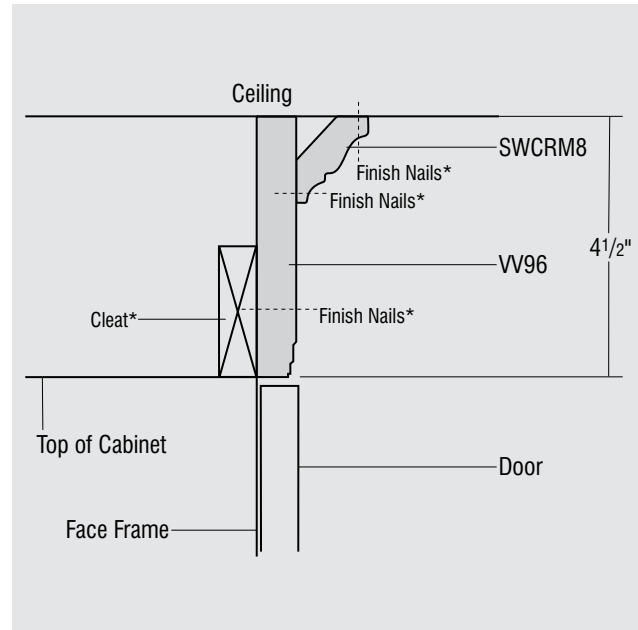
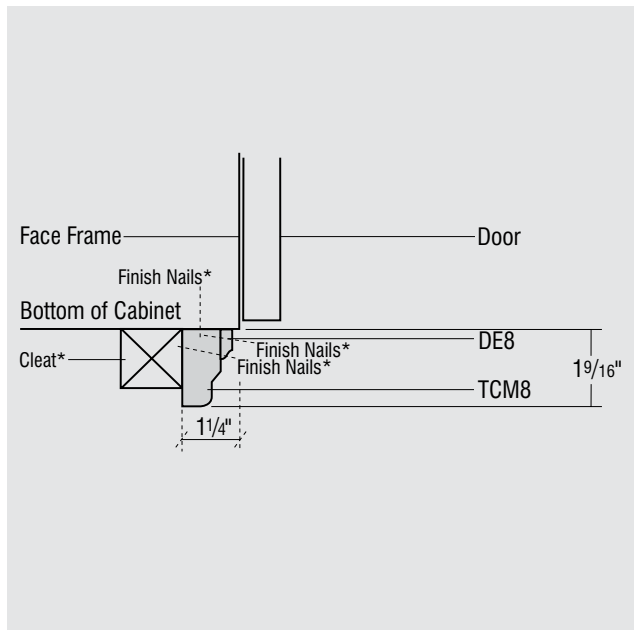
MOULDING STACK 20 STKMLD20



MOULDING STACK 21 STKMLD21



MOULDING STACK 22 STKMLD22



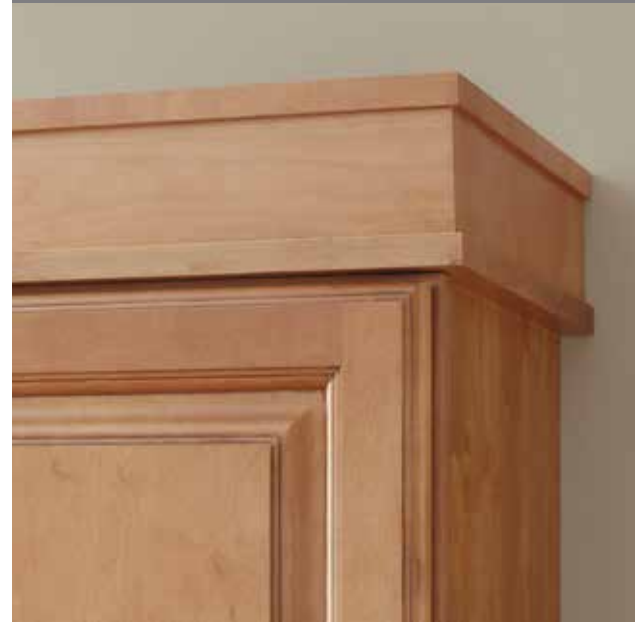
MOULDING STACK 23 STKMLD23



MOULDING STACK 24 STKMLD24



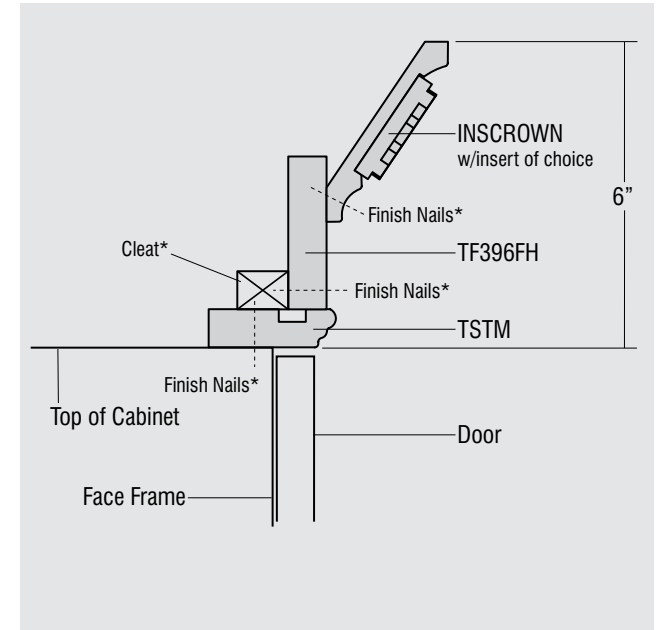
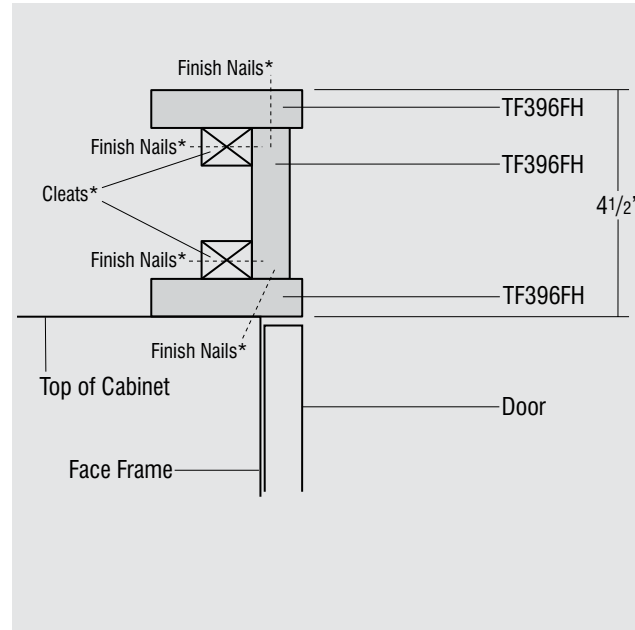
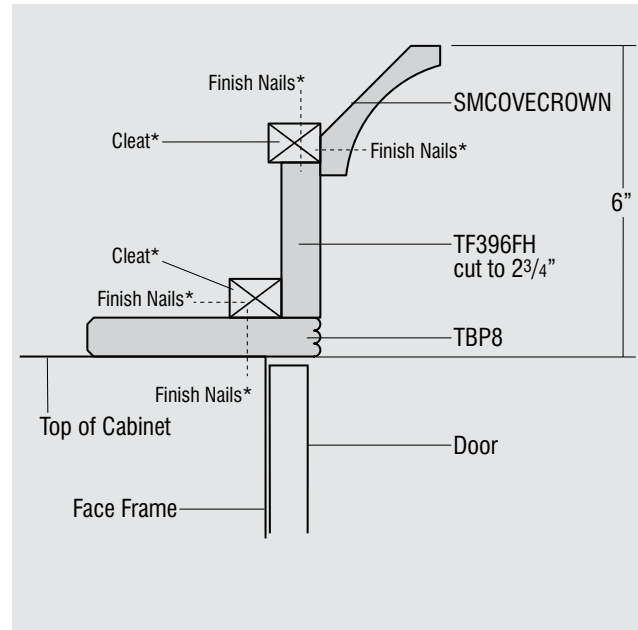
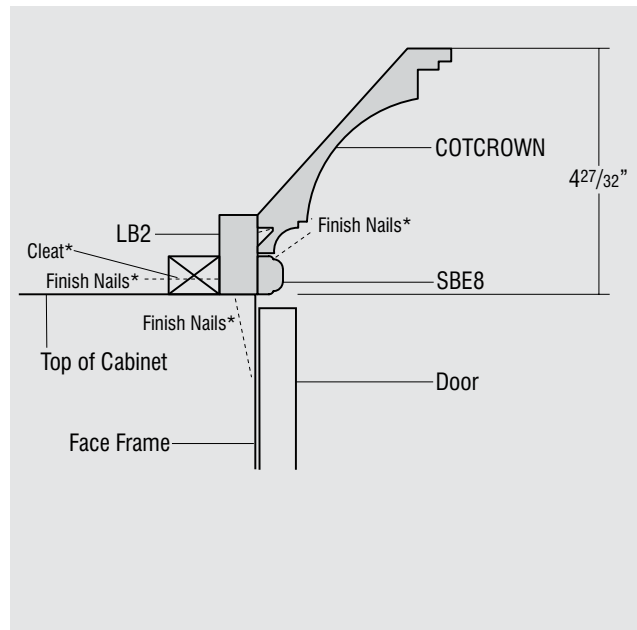
MOULDING STACK 25 STKMLD25



MOULDING STACK 26 STKMLD26



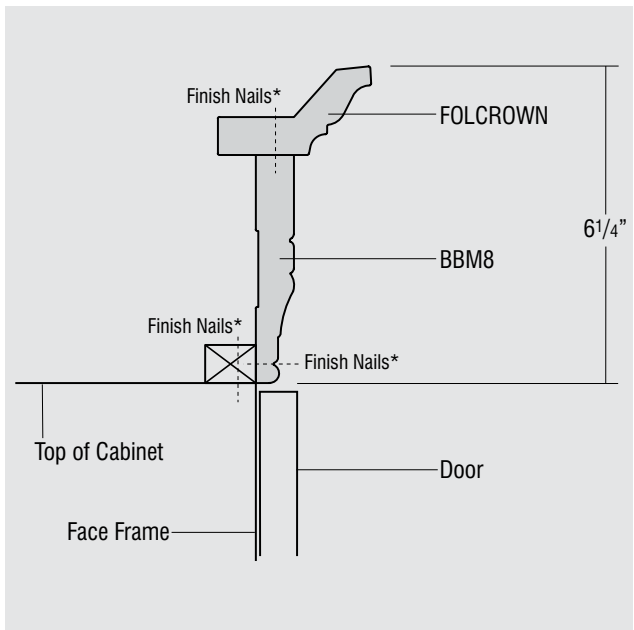
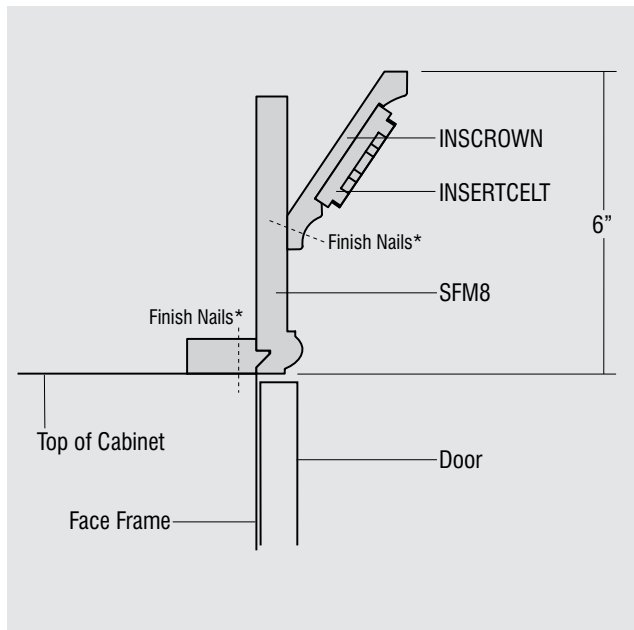
24



MOULDING STACK 27 STKMLD27



MOULDING STACK 28 STKMLD28



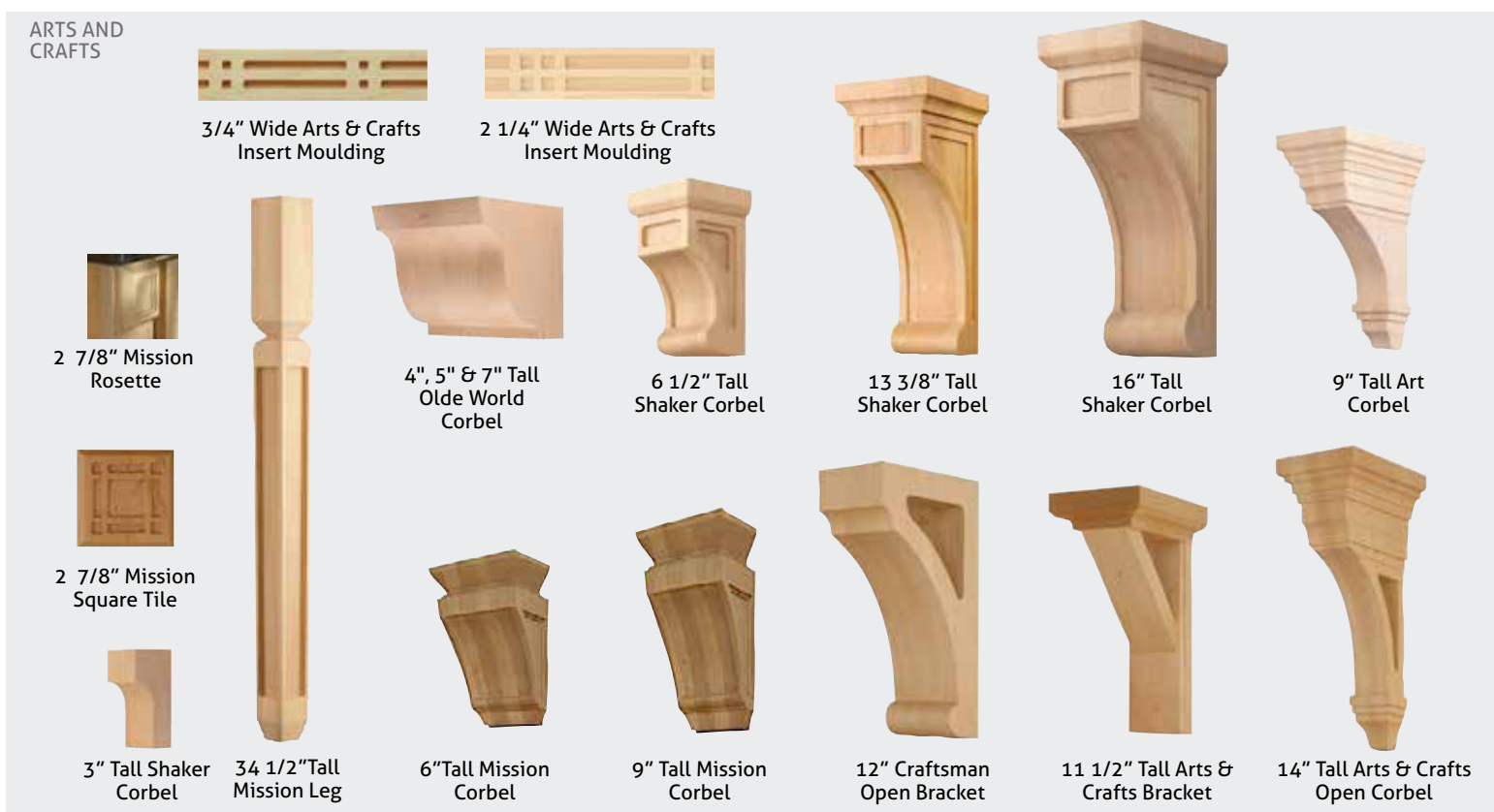
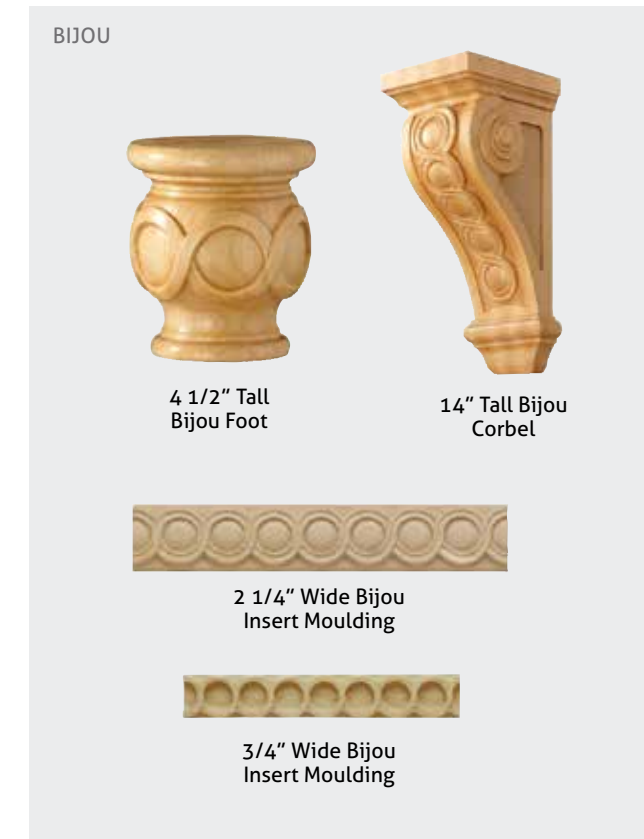
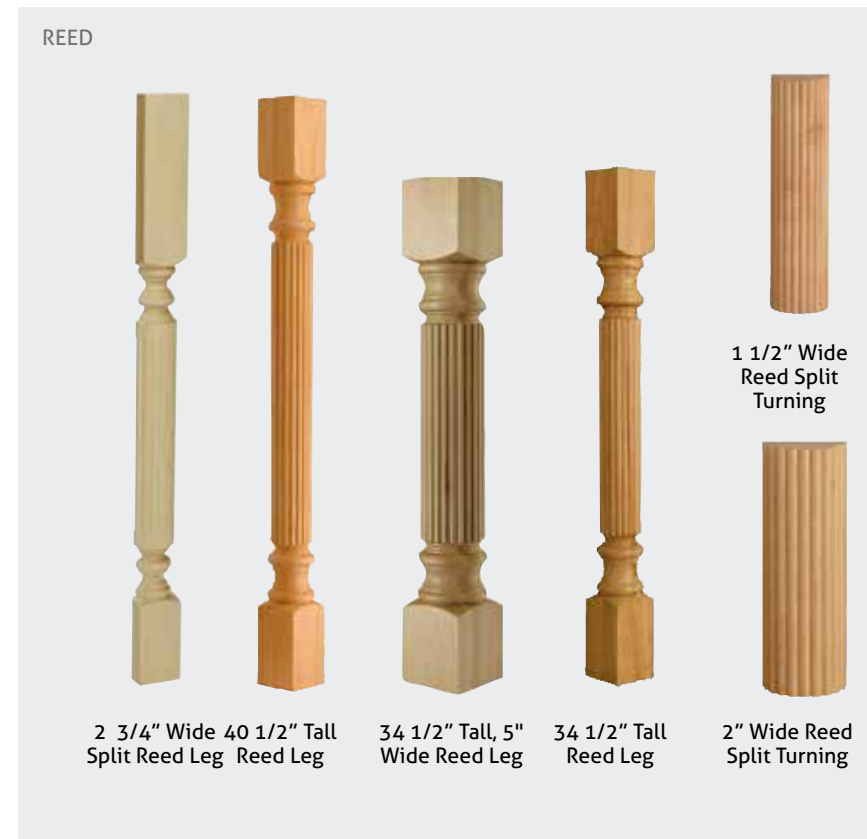
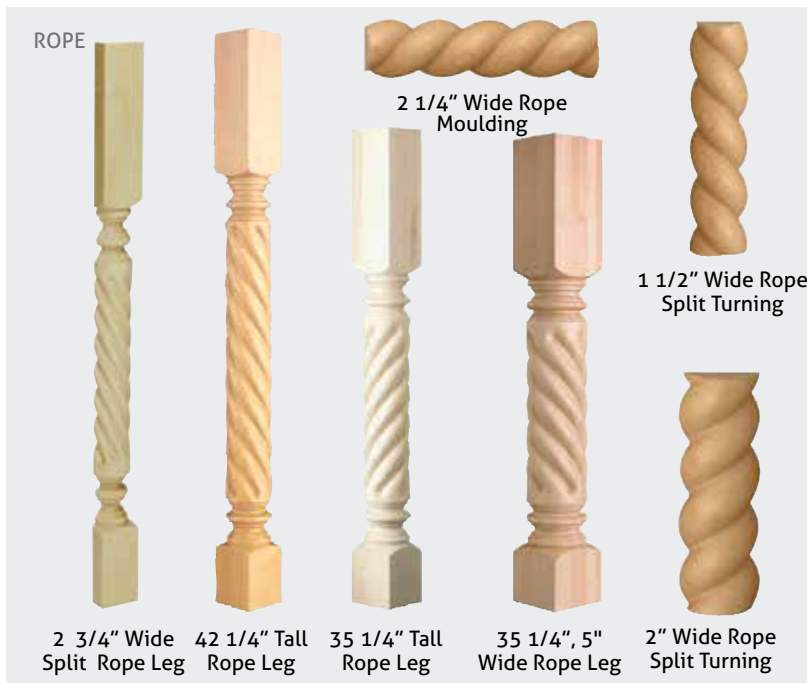
ROMAN WEAVE



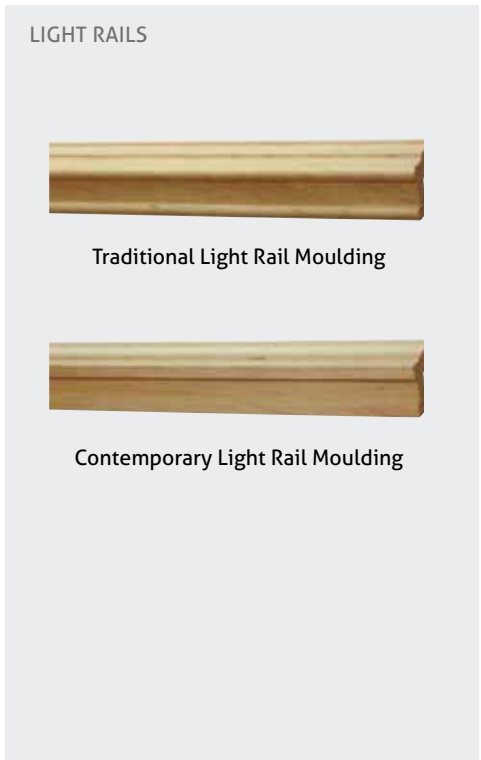
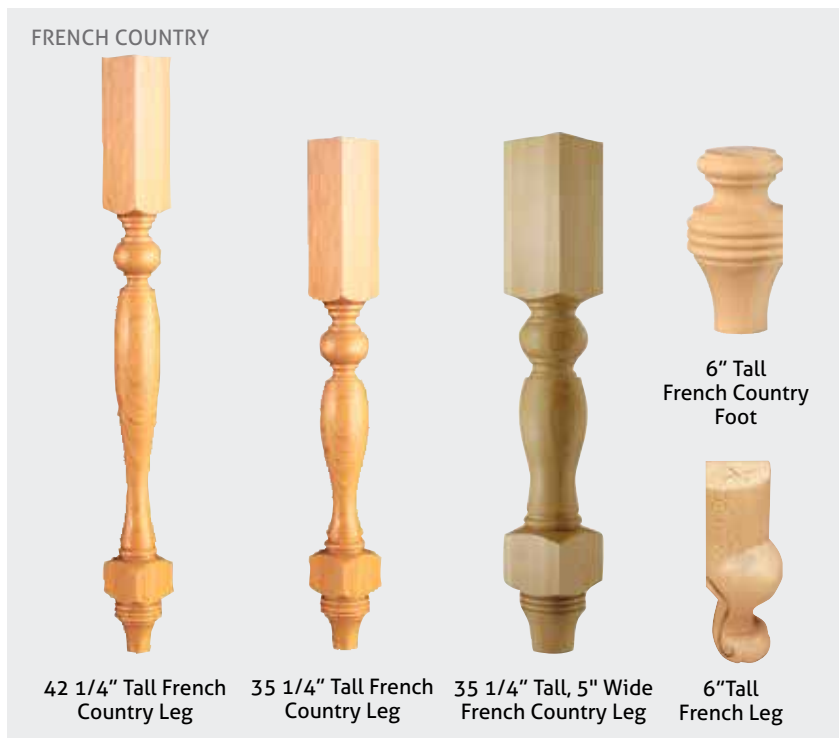
ACANTHUS



With decorative accents grouped by style, Schrock makes it easy to create cabinetry with a fully coordinated look. Whatever your style preference, from simple to elaborate, you'll find a selection of embellishments to maintain the look you want throughout your space.



Your special style shows in every decision you make for your home. With choices from Schrock's array of coordinated embellishments, you'll create cabinetry that's a unique expression of yourself and your lifestyle.



One of today's most popular cabinetry accents, decorative legs and feet add a stylish fine-furniture look. Try English or French Country legs to give an island the feel of a farmhouse table; or add classic fluted legs to base cabinetry to achieve the look of a built-in buffet.

URN SHAPED



35 1/4" Tall Urn Leg 42 1/4" Tall Urn Leg 35 1/4" Tall, 5" Wide Urn Leg 34 1/2" Tall Buffet Leg 35 1/4" Tall Estate Leg 35 1/4" Tall, 2 3/4" Wide Small Estate Leg 35 1/4" Tall, 2 3/4" Wide Small Estate Split Leg

FLUTED



35 1/4" Tall, 2 3/4" Wide Fluted Split Leg 35 1/4" Tall, 5" Wide Fluted Leg 35 1/4" Tall Fluted Leg 42 1/4" Tall Fluted Leg 1 1/2" Fluted Split Turning 35 1/4" Tall, 2 3/4" Wide Fluted Leg

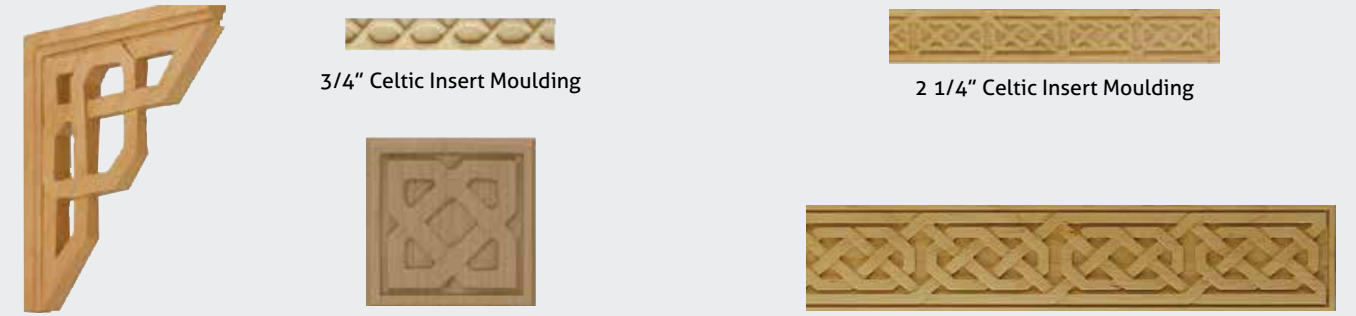
Not shown

TULIP



40 1/2" Tall Tulip Leg 34 1/2" Tall Tulip Leg 4 5/8" Tall Toekick Tulip Foot 4 5/8" Tall Tulip Foot

CELTIC



7" Tall Celtic Corbel 3/4" Celtic Insert Moulding 2 1/4" Celtic Insert Moulding 2 7/8" Celtic Square Rosette 4 3/4" Tall Celtic Overlay

MISCELLANEOUS FEET



5" Tall Square Foot 4 1/2" Tall Plinth Block 6" Tall Tapered Leg 4 1/2" Tall Craftsman Foot 6 1/8" Tall Madison Foot 4 5/8" Tall Metro Foot 4 1/2" Tall Lille Foot



Square Split Foot Square Foot

MISCELLANEOUS SPLIT TURNINGS



3 1/2" Tall Split Turning Center 3 1/8" Tall Split Turning Center 4 3/16" Tall Split Turning Finial 2" Tall Split Turning Spool 9 7/16" Tall Split Turning End 5 13/16" Tall Split Turning Block

At Schrock, innovation is a continual process, as we keep pace with the latest design trends for the home. When selecting mouldings and embellishments to personalize your cabinetry, you'll not only find an array of traditional favorites, but also a wealth of fashion-forward styles such as our intricate Celtic and graceful Baroque collections.